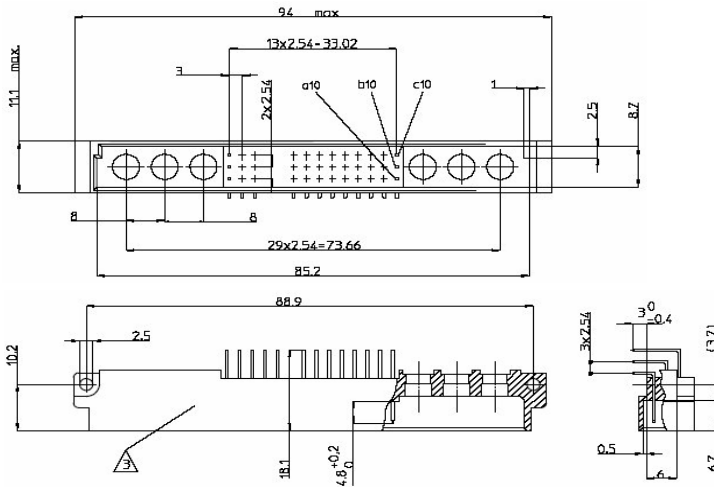


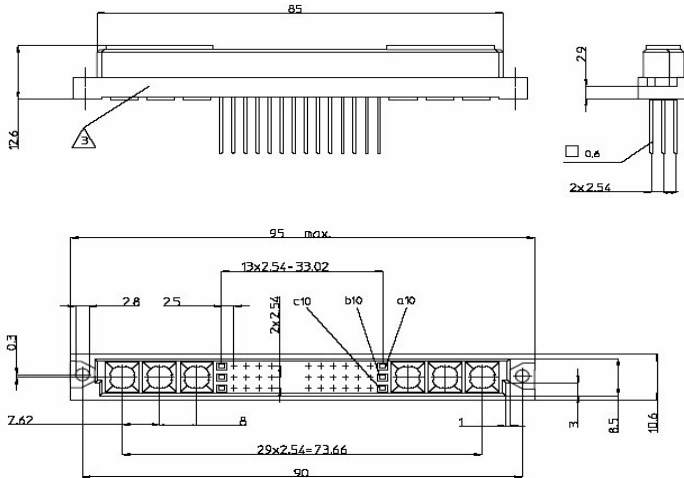
# Backplane Connectors

# Cambridge Connectors

## Type M Plug



## Socket



Code	Desc.	Tail Length in mm Male	Tail Length in mm Female
A	dip solder str.	2.8	2.9
C	dip solder str.	4.7	4
D	dip solder r/a	2.5	
E	wire wrap str.	14.9	13
W	wire wrap str.	9.8	7.4
X	wire wrap str.		17
Q	press fit r/a	2.5	

Loading Configurations			
Rows A+B+C	Rows A+C	Rows A+C odd	Rows A+C even
78+2	52+2	26+2	-
60+4	40+4	-	20+4
42+6	28+6	14+6	-
24+8	16+8	-	8+8

### Ordering Code Type M

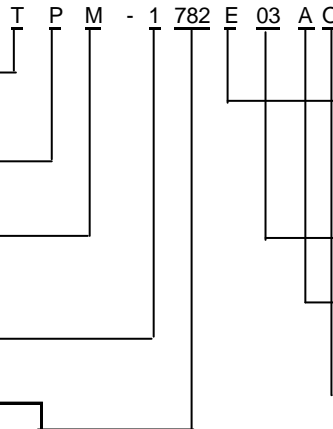
**Series:**  
T = Two Piece DIN 41612

**Gender:**  
P = Plug  
S = Socket

**Body Type:**  
M = Mixed Layout - 3 row

**Body Size:**  
1 = Standard M  
2 = M2  
3 = M3

**No. of Contacts Loaded**  
See loading configurations, but note that 78 + 2, 12 + 2 and so on are entered in the ording code as 782, 122 etc.



**Contact Termination Style:**  
C = dip solder - straight  
D = dip solder - right angle  
E = wire wrap - see termination styles

**Contact Plating:**  
01 = Class I

**Loading Configuration:**  
A = signal contact positions fully loaded

**Mounting Style:**  
O = standard though-hole

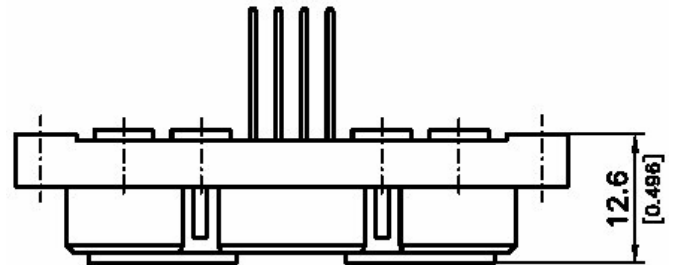
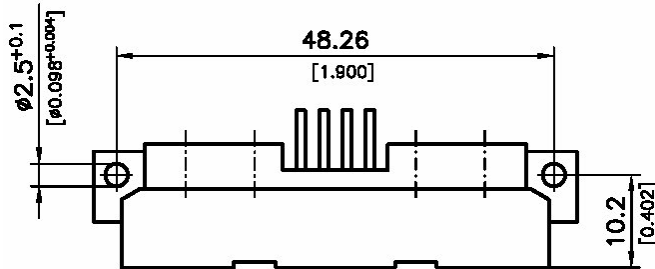
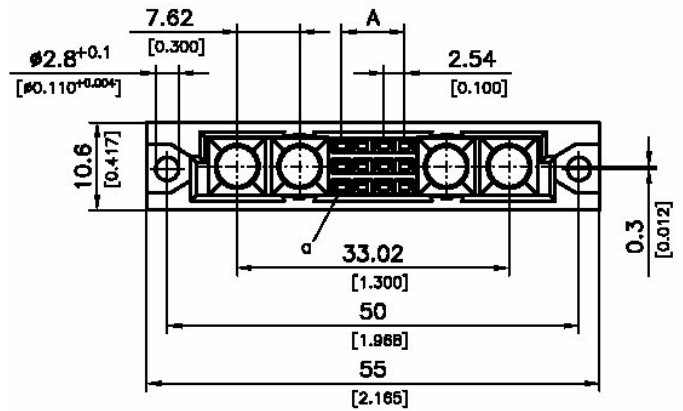
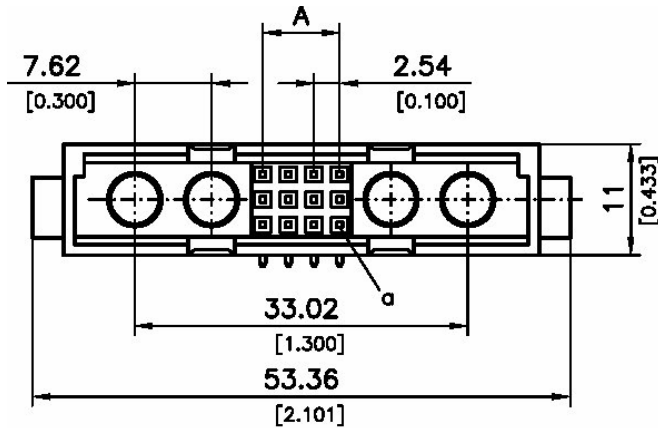
# Backplane Connectors

# Cambridge Connectors

Type M/2

Plug

Socket



### Loading Configurations

Rows A + B + C	Rows A & C only
30 + 2	20 + 2
12 + 4	8 + 4
00+5	-

Code	Desc.	Tail Length in mm Male	Tail Length in mm Female
C	dip solder str.	3	4
D	dip solder r/a	2.8	
E	wire wrap str.		12.4

### Ordering Code - type M/2

T P M - 2 7 8 2 - E 0 3 A O

- **Series:** \_\_\_\_\_  
T = DIN 41612
- **Gender:** \_\_\_\_\_  
P = Plug  
S = Socket
- **Body Type:** \_\_\_\_\_
- M = Mixed Layout - 3 row
- **Body Size:** \_\_\_\_\_
- 2 = M/2
- **Number of contacts loaded:** \_\_\_\_\_  
See loading configurations, but note that 78 + 2, 12 + 2 and so on, are entered in the ordering code as 782, 122 etc.
- **Contact Termination Style:** \_\_\_\_\_  
C = dip solder - straight  
D = dip solder - right angle  
E = wire wrap  
see termination styles
- **Contact Plating:** \_\_\_\_\_  
01 - Class 1
- **Loading Configurations:** \_\_\_\_\_  
A = Signal contact positions fully loaded
- **Mounting Style:** \_\_\_\_\_  
O = Standard through-hole

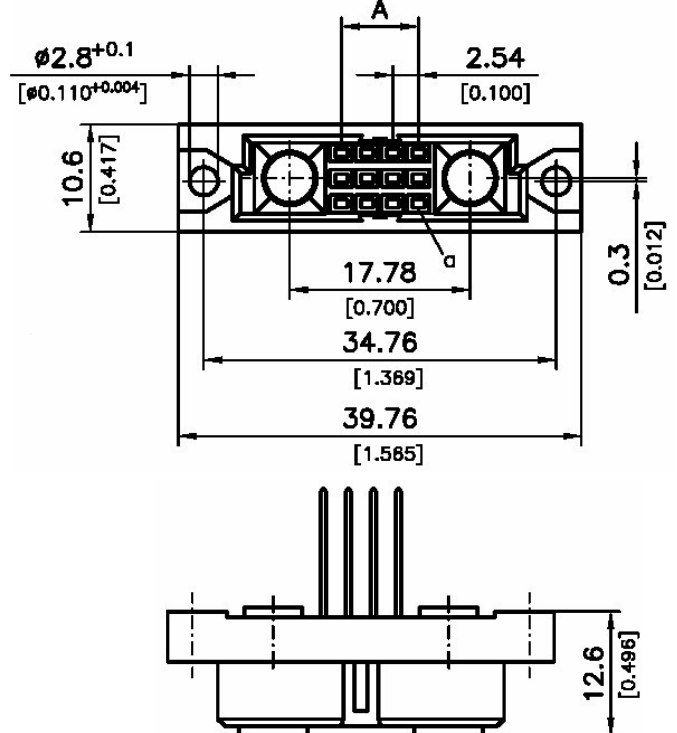
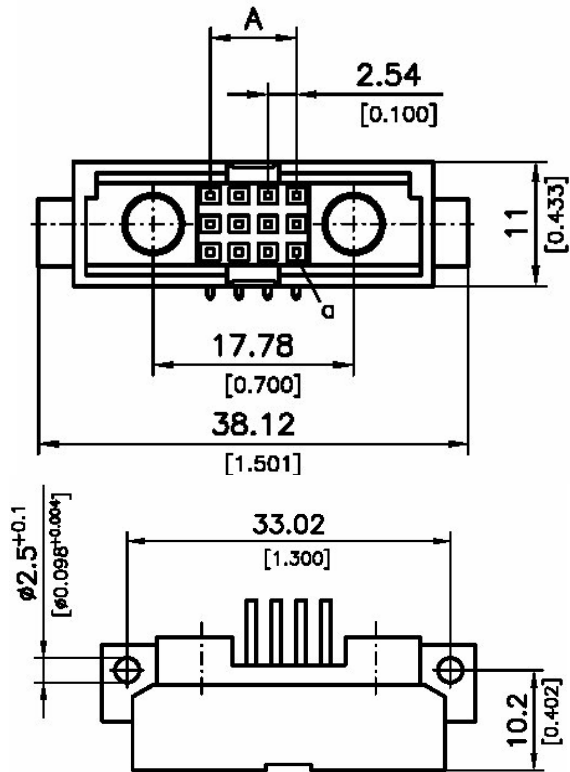
# Backplane Connectors

# Cambridge Connectors

Type M/3

Plug

Socket



Loading Configurations

Rows	Rows
A + B + C	A & C only
12 + 2	8 + 2

Code	Desc.	Tail Length in mm Male	Tail Length in mm Female
C	dip solder str.	3	4
D	dip solder r/a	2.8	
E	wire wrap str.		12.4

## Ordering Code - type M/3

**T P M - 3 7 8 2 - E 0 3 A O**

- **Series:** \_\_\_\_\_
- T = DIN 41612
- **Gender:** \_\_\_\_\_
- P = Plug
- S = Socket
- **Body Type:** \_\_\_\_\_
- M = Mixed Layout - 3 row
- **Body Size:** \_\_\_\_\_
- 3 = M/3
- **Number of contacts loaded:** \_\_\_\_\_
- See loading configurations, but note that 78 + 2, 12 + 2 and so on, are entered in the ordering code as 782, 122 etc.
- **Contact Termination Style:** \_\_\_\_\_
- C = dip solder - straight
- D = dip solder - right angle
- E = wire wrap
- see termination styles
- **Contact Plating:** \_\_\_\_\_
- 01 - Class 1
- **Loading Configurations:** \_\_\_\_\_
- A = Signal contact positions fully loaded
- **Mounting Style:** \_\_\_\_\_
- O = Standard through-hole

## Backplane Connectors

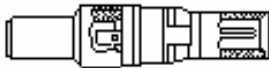
## Cambridge Connectors



**Coaxial** cable plug - straight - 50 Ohm.  
 inner conductor: solder  
 outer conductor: crimp or solder  
 P/No. 31T-0001-16 for cables RG178 BU, RG196 AU  
 P/No. 31T-0002-16 for cables RG174 U, RG188 AU, RG316U



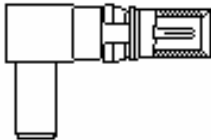
**Coaxial** cable socket - straight - 50 Ohm.  
 inner conductor: solder  
 outer conductor: crimp or solder  
 P/No. 31T-0005-16 for cables RG178 BU, RG196 AU  
 P/No. 31T-0006-16 for cables RG174 U, RG188 AU, RG316U



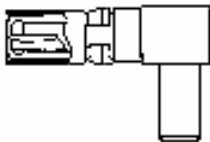
**Coaxial** cable plug - straight - 50 Ohm.  
 inner conductor: crimp  
 outer conductor: crimp  
 P/No. 31T-0014-16 for cables RG178 BU, RG196 AU  
 P/No. 31T-0015-16 for cables RG174 U, RG188 AU, RG316U



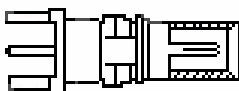
**Coaxial** cable socket - straight - 50 Ohm.  
 inner conductor: crimp  
 outer conductor: crimp  
 P/No. 31T-0016-16 for cables RG178 BU, RG196 AU  
 P/No. 31T-0017-16 for cables RG174 U, RG188 AU, RG316U



**Coaxial** cable plug - right angle - 50 Ohm.  
 inner conductor: solder  
 outer conductor: crimp or solder  
 P/No. 31T-0003-16 for cables RG178 BU, RG196 AU  
 P/No. 31T-0004-16 for cables RG174 U, RG188 AU, RG316U



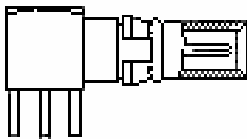
**Coaxial** cable socket - right angle - 50 Ohm.  
 inner conductor: solder  
 outer conductor: crimp or solder  
 P/No. 31T-0007-16 for cables RG178 BU, RG196 AU  
 P/No. 31T-0008-16 for cables RG174 U, RG188 AU, RG316U



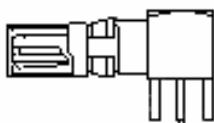
**Coaxial** PCB plug - straight - 50 Ohm.  
 5 solder points  
 P/No. 31T-0018-16      Cable not applicable



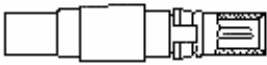
**Coaxial** PCB socket - straight - 50 Ohm.  
 5 solder points  
 P/No. 31T-0019-16      Cable not applicable.



**Coaxial** PCB plug - right angle - 50 Ohm  
 5 solder points  
 P/No. 31T-0009-16      Cable not applicable

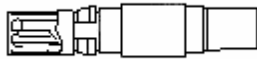


**Coaxial** PCB socket - right angle - 50 Ohm.  
 5 solder points  
 P/No. 31T-0010-16      Cable not applicable.



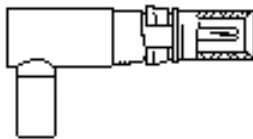
**Coaxial** cable plug - straight - 75 Ohm.  
inner conductor: solder  
outer conductor: crimp or solder

P/No. 31T-0020-16 for cables RG179 BU, RG187 AU



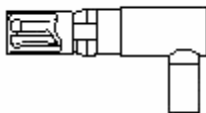
**Coaxial** cable socket - straight - 75 Ohm.  
inner conductor: solder  
outer conductor: crimp or solder

P/No. 31T-0021-16 for cables RG179 BU, RG187 AU



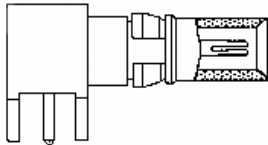
**Coaxial** cable plug - right angle - 75 Ohm.  
inner conductor: solder  
outer conductor: crimp or solder

P/No. 31T-0022-16 for cables RG179 BU, RG187 AU



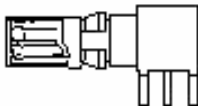
**Coaxial** cable socket - right angle - 75 Ohm.  
inner conductor: solder  
outer conductor: crimp or solder

P/No. 31T-0023-16 for cables RG179 BU, RG187 AU



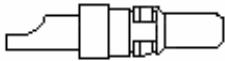
**Coaxial** PCB plug - right angle - 75 Ohm.  
5 solder points

P/No. 31T-0024-16 Cable not applicable.



**Coaxial** PCB socket - right angle 75 ohm.  
5 solder points

P/No. 31T-0025-16 Cable not applicable.

**Backplane Connectors****Cambridge Connectors****High power cable plug - straight**

solder termination

P/No. 31T-0040-18 current rating 10A wire size AWG16-20

P/No. 31T-0036-18 current rating 20A wire size AWG12-14

P/No. 31T-0039-18 current rating 40A wire size AWG 8-10

**High power cable socket - straight**

solder termination

P/No. 31T-0034-18 current rating 10A wire size AWG16-20

P/No. 31T-0035-18 current rating 20A wire size AWG12-14

P/No. 31T-0030-18 current rating 40A wire size AWG 8-10

**High power cable plug - straight**

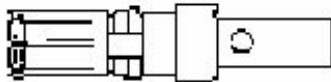
crimp termination

P/No. 31T-0042-18 current rating 10A wire size AWG16-20

P/No. 31T-0043-18 current rating 20A wire size AWG12-14

P/No. 31T-0044-18 current rating 40A wire size AWG 8-10

P/No. 31T-0045-18 current rating 30A AWG10-14

**High power cable socket - straight**

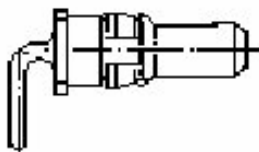
crimp termination

P/No. 31T-0031-18 current rating 10A wire size AWG16-20

P/No. 31T-0032-18 current rating 20A wire size AWG12-14

P/No. 31T-0033-18 current rating 40A wire size AWG 8-10

P/No. 31T-0046-18 current rating 30A wire size AWG10-14

**High power PCB plug - right angle**

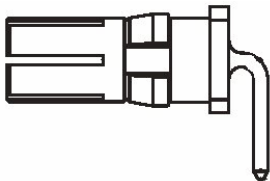
current rating 10A

1 solder point

P/No. 31T-0026-18 current rating 10A

P/No. 31T-0049-18 current rating 20A

P/No. 31T-0047-18 current rating 40A

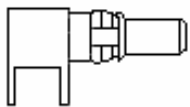


## High Power PCB socket - right angle 1 solder point

P/No. 31T-0051-18 10A

P/No. 31T-0050-18 20A

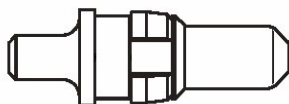
P/No. 31T-0037-18 40A

**High power PCB plug - right angle**

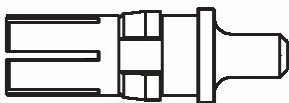
current rating 40A

4 solder points

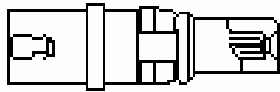
P/No. 31T-0027-18 current rating 40A

**High power PCB plug - straight**

P/No. 31T-0041-18 current rating 20A

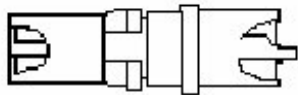
**High power PCB socket - straight**

P/No. 31T-0048-18 current rating 20A



**High voltage** cable plug - right angle  
solder termination  
current rating 1,5A

P/No. 31D-0190-22 for cables  $\leq$  AWG 20



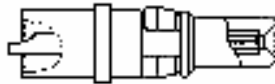
**High voltage** cable socket - straight  
solder termination  
current rating 1,5A

P/No. 31D-0189-22 for cables  $\leq$  AWG 20



**High voltage** cable socket - right angle  
solder termination  
current rating 1,5A

P/No. 31D-0191-22 for cables  $\leq$  AWG 20



**High voltage** cable plug - straight  
solder termination  
current rating 1,5A

P/No. 31D-0188-22 for cables  $\leq$  AWG 20

**Note:** Coaxial, high power and high voltage contacts shown in these pages are part numbered to include standard contact plating. Other platings are available. Please contact our Sales Department for further information.